



Nitrate Sensor Module Datasheet

Description

Nitrate Sensor modules are used to detect the concentration of nitrate within a variety of mediums, primarily soil. Screen printed electrodes with working and reference electrodes plug into the sensor module connector board from which wires are exposed for plugging into the main Nitrate PCB found within the Nitrate Rod. Wires from sensor modules can alternatively be connected to a datalogger for data acquisition. Sensor modules are filled with a resin polymer to protect the wiring and connections between the electrodes and connectors.

Applications and Features

- Electrochemical measurements include Open Circuit Potential (OCP), Amperometry, Square Wave Voltammetry, Cyclic Voltammetry and impedance spectroscopy.
- Other Sensing options aside from Nitrate include Potassium, Phosphate, Conductivity and Temperature.

Technical Specifications

| Range of Nitrate Measurement | | |
|------------------------------|-----|------|
| | Min | Max |
| KNO ₃ (mM) | 0.3 | 300 |
| Ppm of NO ₃ (ppm) | 31 | 1550 |

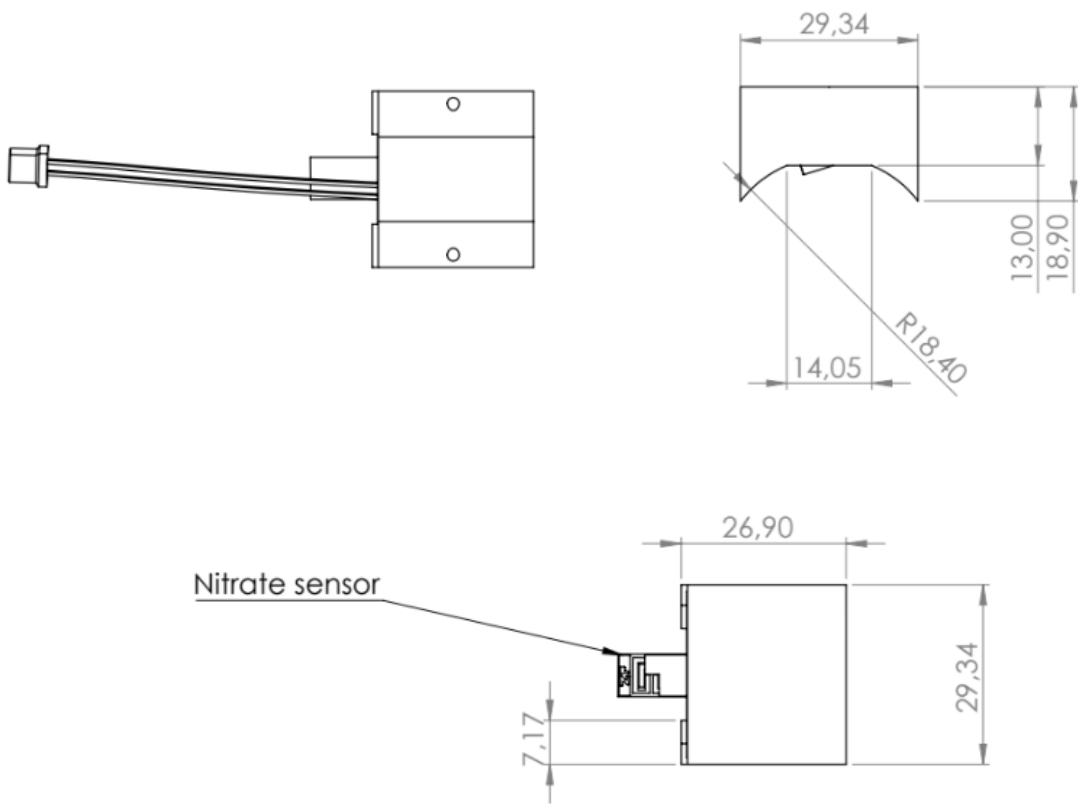
| Module Dimension without Sensor | |
|---------------------------------|--------|
| Length | 18.9mm |
| Breadth | 29.4mm |
| Height | 26.9mm |
| Module Dimensions with Sensor | |
| Length | 18.9mm |

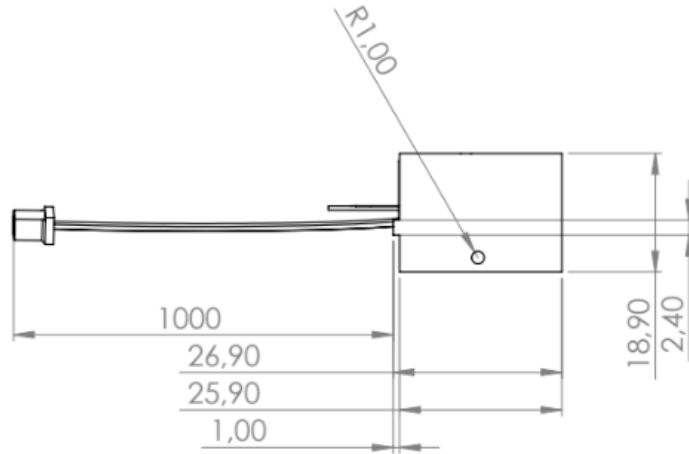


| | |
|--------------|--------|
| Breadth | 29.4mm |
| Height | 40.7mm |
| Cable Length | 120mm |

| Electrical Specifications | | |
|---------------------------|--------|--------|
| | Min | Max |
| Voltage Output | -900mV | +900mV |

Technical Drawings





Photographs

